

Cable trunking systems




System configuration and support

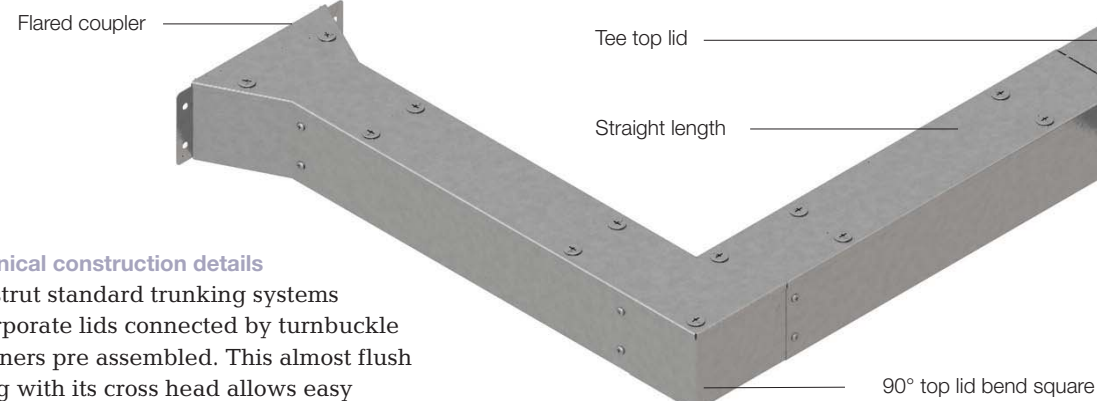
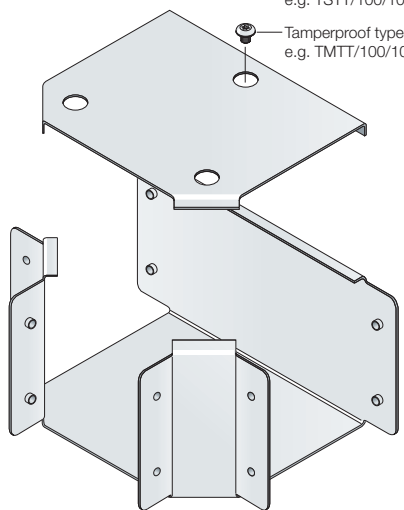
Metstrut cable trunking systems are designed as a complete system with a range of easy fit accessories. Integral connectors are included for all fittings as well as fixing bolts. These connectors include pre tapped holes avoiding the need for nuts and washers. Trunking straight lengths come complete with coupler and fixing screws.

Metstrut lighting trunking utilises the same accessories as the standard trunking range, but straight bodies are available in numerous length configurations. Clip on lids are available for this range in both metal galvanised or white plastic.

Technical construction details

Metstrut standard trunking systems incorporate lids connected by turnbuckle fasteners pre assembled. This almost flush fixing with its cross head allows easy installation or removal with conventional cross/flat blade screwdrivers. Alternative fixings are available to order including screwfix and tamperproof screws

-  Turnbuckle type
e.g. TTT/100/100/PG/G
-  Screwfix type - add "S" after the first T
e.g. TSTT/100/100/PG/G
-  Tamperproof type - add "M" after the first T
e.g. TMTT/100/100/PG/G



Materials and finishes

Materials and finishes available are mild steel pre galvanised as standard and powder coated to order.

Mild steel pre galvanised: manufactured from steel complying with BS EN 10327:2004.

